

# Planmeca Sovereign® Classic

Clever  
design  
details



# It's radically different

*Our exquisite **Planmeca Sovereign® Classic** dental unit is the perfect outcome of clever design details that facilitate your work throughout the day. From patient treatment to easy infection control, this unit is intelligent inside and out.*



# Clever design details

## Flexibility and comfort

The **Planmeca Sovereign® Classic** has been designed with ergonomics, comfort, and usability in mind. The compact and slim cuspidor makes the unit the perfect choice for any treatment room. The user-centered design offers unparalleled ease of use for both you and your assistant. The tilting seat keeps the patient optimally positioned during the entire treatment session.

## Perfect ease of use

Plug your preferred instruments on the 6-position instrument console and use the unit easily through the multilingual touch screen from day one. Position your unit the way you want with the manual left/right swivel function of the cuspidor and chair. The handy **Cobra™** suction arm and modular **Flexy™** holder for suction tubes and instruments support all your treatment needs.

Easy integration  
of the ultra-fast  
and accurate  
**Planmeca PlanScan®**  
intraoral scanner

FENNIAPRIZE 14  
HONORARY MENTION



reddot design award  
winner 2009



# Intelligent infection control

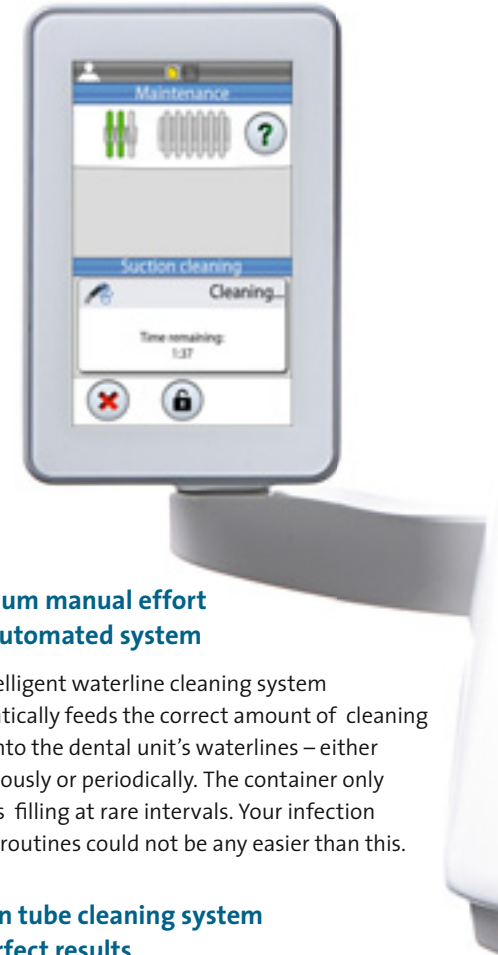
*Planmeca Sovereign® Classic offers the most advanced infection control systems. Periodical cleaning or continuous disinfection – the choice is yours. Everything you need for your infection control routines is perfectly organised into logical compartments.*



Easy and efficient

## Intuitive touchscreen for easy infection control

The multilingual user interface of the dental unit guides the user throughout the infection control process. The progress of the cleaning cycle can be easily followed from the screen.



## Minimum manual effort with automated system

The intelligent waterline cleaning system automatically feeds the correct amount of cleaning agent into the dental unit's waterlines – either continuously or periodically. The container only requires filling at rare intervals. Your infection control routines could not be any easier than this.

## Suction tube cleaning system for perfect results

We have designed an innovative system for cleaning suction tubes and filters. The **Planmeca Suction Tube Cleaning System (STCS)** significantly simplifies and automates the disinfection process of dental units – ensuring a safe treatment environment and a cleaner suction system overall.

The efficiency of the Planmeca STCS has been established in an independent study\* conducted at the Dublin Dental University Hospital.

\* M.A. Boyle, et al., Overcoming the problem of residual microbial contamination in dental suction units left by conventional disinfection using novel single component suction handpieces in combination with automated flood disinfection, Journal of Dentistry (2015)

# Use it the way you want

If you are looking for a dental unit that offers perfect adaptability and flexibility, then **Planmeca Sovereign® Classic** is your choice. This smart unit supports all possible workflows and treatment positions and lets you work just the way you want.



## Symmetrical design

The symmetrical design of the dental unit is ideal for both right and left handed use without compromises.

## Delivery types

- Over-the-patient delivery with balanced instrument arms
- Over-the-patient delivery with hanging tube instruments



Choose your ideal level of equipment



## Long height adjustment range and tilting seat

The exceptionally long height adjustment range and tilting seat of the dental unit bring perfect flexibility to your daily work.

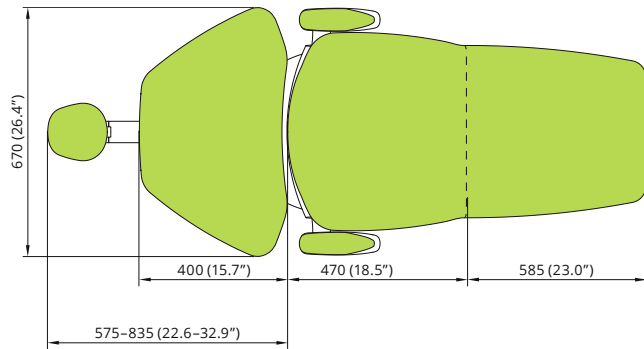
- Treatments in a standing position
- Treatments of semi-reclined patients
- Easy patient entry/exit



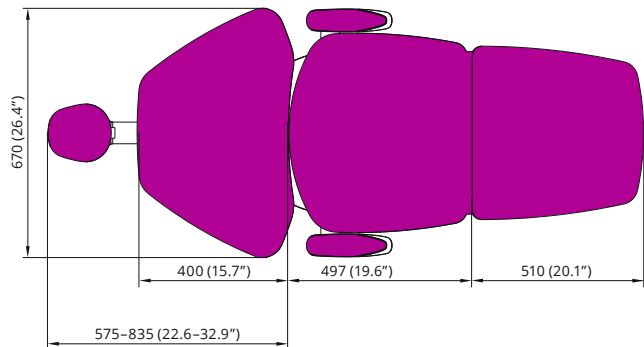
# Technical specifications

|                      |                                                                                                                    |
|----------------------|--------------------------------------------------------------------------------------------------------------------|
| Delivery system      | Over-the-patient delivery with balanced instrument arms<br>Over-the-patient delivery with hanging tube instruments |
| Power requirements   | 100-240 VAC                                                                                                        |
| Mains frequency      | 50/60 Hz                                                                                                           |
| Water inlet pressure | 180-900 kPa (26-130 psi)                                                                                           |
| Air inlet pressure   | 550-900 kPa (80-130 psi)                                                                                           |
| Weight               | 200 kg (440 lbs)                                                                                                   |
| Mounting             | To be fixed on the floor                                                                                           |
| Frame                | Cast aluminium alloy                                                                                               |
| Colour               | White (RAL 9016)                                                                                                   |

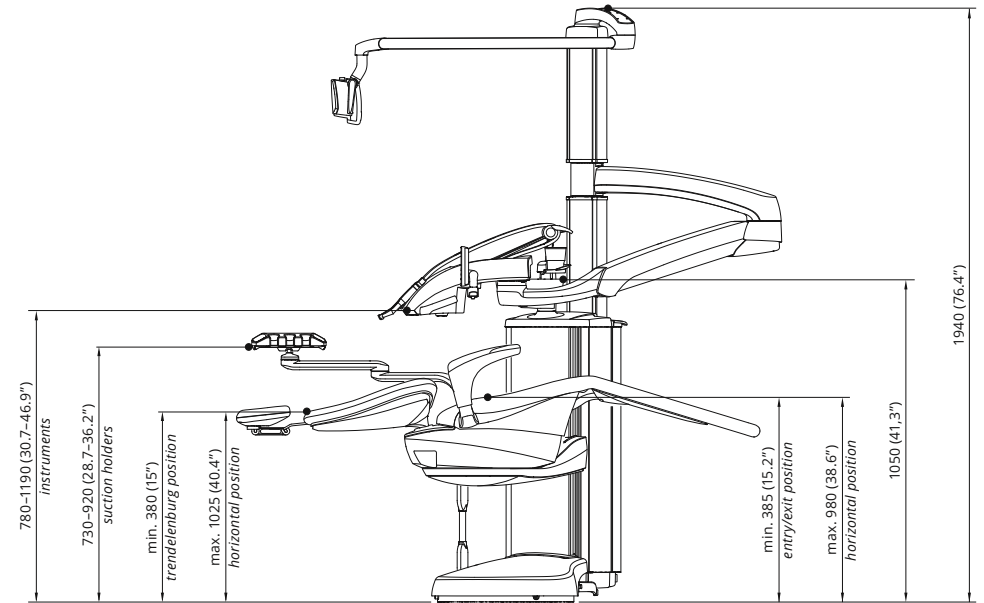
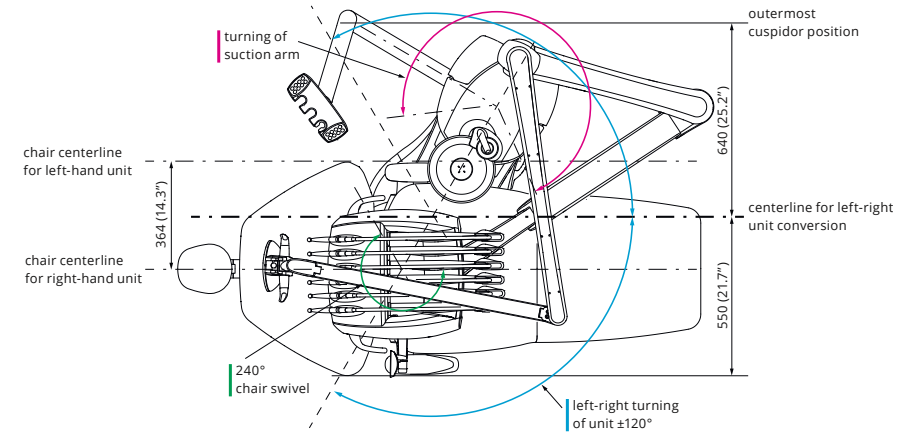
## Adaptive legrest 585 mm



## Automatic legrest 510 mm



## Over-the-patient delivery with balanced instrument arms



# Stand out with colour



Ultra Relax™



Comfy™



## PLANMECA

Asentajankatu 6 | 00880 Helsinki | Finland | tel. +358 20 7795 500 | sales@planmeca.com | www.planmeca.com

Images may contain optional items not included in standard delivery. Available configurations and features may have country or area specific variations. Some products displayed above may not be available in all countries or areas. Rights for changes reserved.

Planmeca, All in one, Anatomat Plus, Cobra, Comfy, DentoVac, Digital perfection, Economat Plus, Elegant, Flexy, Mini-dent, Perio Fresh, PlanEasyMill, Planmeca 4D, Planmeca AINO, Planmeca ARA, Planmeca CAD/CAM, Planmeca Chair, Planmeca Clarify, Planmeca Compact, Planmeca FIT, Planmeca Intra, Planmeca iRomexis, Planmeca Lumion, Planmeca Lumo, Planmeca Maximity, Planmeca Minea, Planmeca Minendo, Planmeca Minetto, Planmeca mRomexis, Planmeca Noma, Planmeca Online, Planmeca PlanCAD, Planmeca PlanCAM, Planmeca PlanClear, Planmeca PlanMill, Planmeca Planosil, Planmeca PlanPure, Planmeca PlanScan, Planmeca ProCeph, Planmeca ProFace, Planmeca ProID, Planmeca ProMax, Planmeca ProModel, Planmeca ProOne, Planmeca ProScanner, Planmeca ProSensor, Planmeca ProX, Planmeca Romexis, Planmeca Serenus, Planmeca SingLED, Planmeca Sovereign, Planmeca Ultra Low Dose, Planmeca Vision, Planmeca Verity, Planmeca Waterline Cleaning System, Planmeca Xtremity, Proline Dental Stool, ProTouch, Saddle Stool, SmartPan, SmartTouch, Trendy and Ultra Relax are registered or non-registered trademarks of Planmeca in various countries.

10032837/0516/en

